

### SHELTER A-FRAME M-SERIES

#### TENT SPECIFICATIONS

|                   |                                  |
|-------------------|----------------------------------|
| Model             | M30                              |
| Span Width        | 30m                              |
| Eave Height       | 4.00m                            |
| Ridge Height      | 9.00m                            |
| Bay Distance      | 5m                               |
| Roof Pitch        | 18°                              |
| Longest Component | 10.70m                           |
| Maximum Length    | Unlimited in 5-meter increments  |
| Max. WindLoad     | 100km/h (0.50kN/m <sup>2</sup> ) |

#### FRAMEWORK

|               |   |
|---------------|---|
| Main Profiles | 120*250*4mm (4 channel)                           |
| Material      | Hard Pressed Extruded Structural Aluminum 6061/T6 |

#### COVER

|                 |  |
|-----------------|--|
| Material        | PVC Coated Polyester Fabric  |
| Features        | 650 or 850 g/sqm, Premium Grade, High Gloss White or Translucent, Waterproof, UV Resistant |
| Flame Retardant | DIN 4102 B1, M2; USA NFPA701   |

#### CONNECTING COMPONENTS

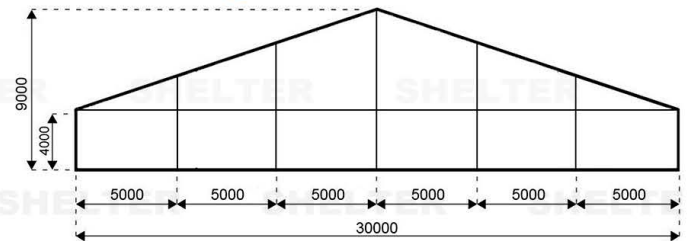
Hot Dipped, Structural Grade Corrosive Resistant Galvanized Steel

### M-SERIES DRAWING

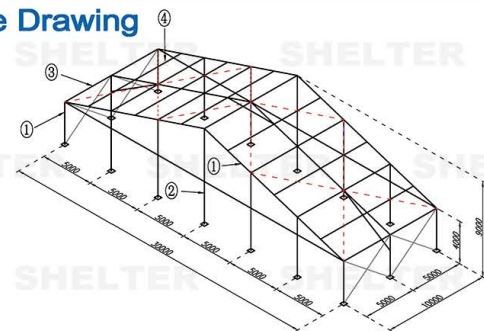
#### Rendering



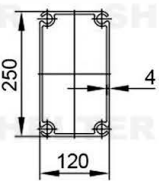
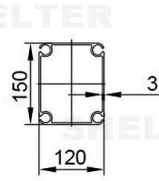
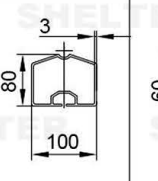
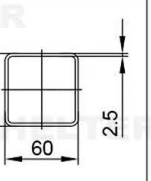
#### Gable Drawing



#### Frame Drawing



#### Profile Specifications

| Upright Support Roof Beam ①  | Gable Upright ②   | Eave Purlin ③   | Roof Purlin ④   |
|--|---|---|---|
|  |  |  |  |



# SHELTER STRUCTURES

## PRODUCT GALLERY



### APPLICATION

- Wedding Venue
- Annual Gala
- Show Room
- Business Conference
- Industrial Warehouse
- Lounge Space for Mining
- Sports Arena
- Hospitality



### FEATURES

- Customized Entrance Canopy
- Max. Eave Height 8m
- Adjustable Span
- Roof Extension
- Numerous Sidewall Options



**SHELTER STRUCTURES**  
**TENT MANUFACTURER**

### Headquarter & Production

Chaotian Industrial Park, Panyu, Guangzhou, China.

E: [admin@shelter-structures.com](mailto:admin@shelter-structures.com)

M: +86 139 2885 8552

W: [www.shelter-structures.com](http://www.shelter-structures.com)

T: +8620 6660 3258