



SHELTER STRUCTURES

PRODUCT SPECIFICATIONS

SHELTER A-FRAME M-SERIES

TENT SPECIFICATIONS

Model	M25
Span Width	25m
Eave Height	4.00m
Ridge Height	7.95m
Bay Distance	5m
Roof Pitch	18°
Longest Component	10.70m
Maximum Length	Unlimited in 5-meter increments
Max. WindLoad	100km/h (0.50kN/m ²)

FRAMEWORK

Main Profiles	112*203*4mm (4 channel)
Material	Hard Pressed Extruded Structural Aluminum 6061/T6

COVER

Material	PVC Coated Polyester Fabric
Features	650 or 850 g/sqm, Premium Grade, High Gloss White or Translucent, Waterproof, UV Resistant
Flame Retardant	DIN 4102 B1, M2; USA NFPA701

CONNECTING COMPONENTS

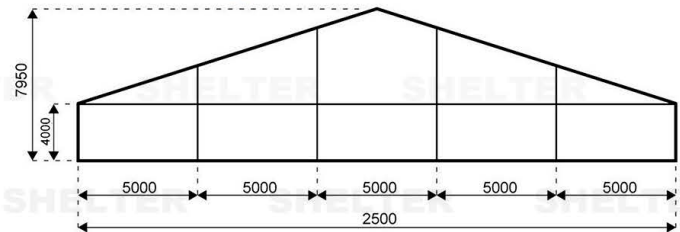
Hot Dipped, Structural Grade Corrosive Resistant Galvanized Steel

M-SERIES DRAWING

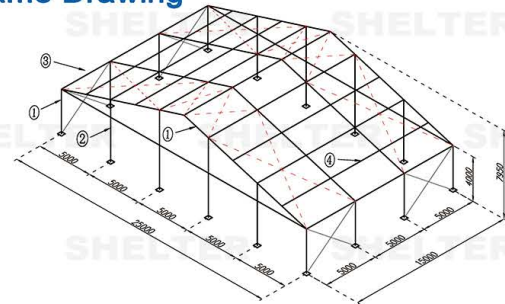
Rendering



Gable Drawing



Frame Drawing



Profile Specifications

Upright Support Roof Beam ①	Gable Upright ②	Eave Purlin ③	Roof Purlin ④



SHELTER STRUCTURES
TENT MANUFACTURER

Headquarter & Production

Chaotian Industrial Park, Panyu, Guangzhou, China.

E: admin@shelter-structures.com

M: +86 139 2885 8552

W: www.shelter-structures.com

T: +8620 6660 3258



SHELTER STRUCTURES

PRODUCT GALLERY



APPLICATION

- Wedding Banquet
- Trade Show / Fairs
- Business Conference
- Carnival & Festival
- Logistic Loading Bay
- Temporary Church
- Sports Arena
- Hospitality



FEATURES

- Customized Entrance Awning
- Roof Extension
- Max. Eave Height 8m
- Unobstructed Interior Space
- Rapid Installation



SHELTER STRUCTURES
TENT MANUFACTURER

Headquarter & Production

Chaotian Industrial Park, Panyu, Guangzhou, China.

E: admin@shelter-structures.com

M: +86 139 2885 8552

W: www.shelter-structures.com

T: +8620 6660 3258