

SHELTER JET TENT

TENT SPECIFICATIONS

Model	Jet6
Span Width	6m
Eave Height	4.00m
Ridge Height	5.95m
Bay Distance	5m
Roof Pitch	18°
Longest Component	6.30m
Maximum Length	Unlimited in 5-meter increments
Max. WindLoad	100km/h (0.50kN/m ²)

FRAMEWORK

Main Profiles	112*203*4mm (4 channel)
Material	Hard Pressed Extruded Structural Aluminum 6061/T6

COVER

Material	PVC Coated Polyester Fabric
Features	650 or 850 g/sqm, Premium Grade, High Gloss White or Translucent, Waterproof, UV Resistant
Flame Retardant	DIN 4102 B1, M2; USA NFPA701

CONNECTING COMPONENTS

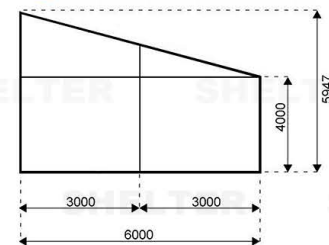
Hot Dipped, Structural Grade Corrosive Resistant
Galvanized Steel

JET TENT DRAWING

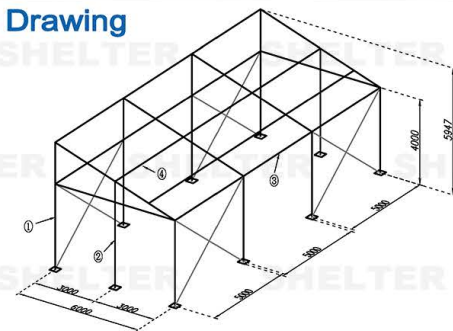
Rendering



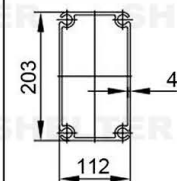
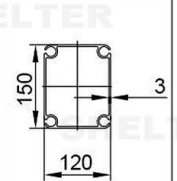
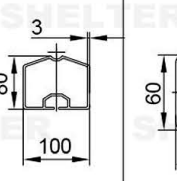
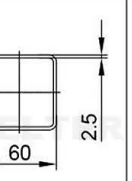
Gable Drawing



Frame Drawing



Profile Specifications

Upright Support Roof Beam ①	Gable Upright ②	Eave Purlin ③	Roof Purlin ④
			



SHELTER STRUCTURES PRODUCT GALLERY



APPLICATION

- Rooftop Bar
- Outdoor Restaurant Canopy
- Popup Shop
- Reception Center
- Ticket Office
- Souvenir Store
- Lounge Awning
- Popup Cafe



FEATURES

- Unique Single-slope Appearance
- Rapidly Install in any Ground
- Perfect for Advertising
- Ideal Design for Outdoor Booth
- Numerous Sidewall Options



**SHELTER STRUCTURES
TENT MANUFACTURER**

Headquarter & Production

Chaotian Industrial Park, Panyu, Guangzhou, China.

E: admin@shelter-structures.com

M: +86 139 2885 8552

W: www.shelter-structures.com

T: +8620 6660 3258