

### SHELTER A-FRAME G-SERIES

#### TENT SPECIFICATIONS

Model	G3
Span Width	3m
Eave Height	2.95m
Ridge Height	3.53m
Bay Distance	3m
Roof Pitch	18°
Longest Component	3.85m
Maximum Length	Unlimited in 3-meter increments
Max. WindLoad	80km/h (0.40kN/m <sup>2</sup> )

#### FRAMEWORK

Main Profile	120*48*3mm (4 channel)
Material	Hard Pressed Extruded Structural Aluminum 6061/T6

#### COVER

Material	PVC Coated Polyester Fabric
Features	650 or 850g/sqm; Premium Grade; High Gloss White or Translucent; Waterproof; UV Resistance
Flame Retardant	DIN 4102 B1, M2; USA NFPA701

#### CONNECTING COMPONENTS

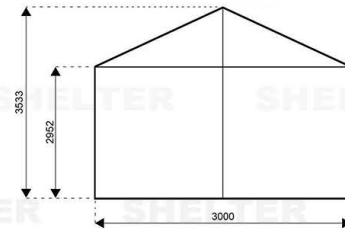
Hot Dipped, Structural Grade Corrosive Resistant Galvanized Steel

### G-SERIES DRAWING

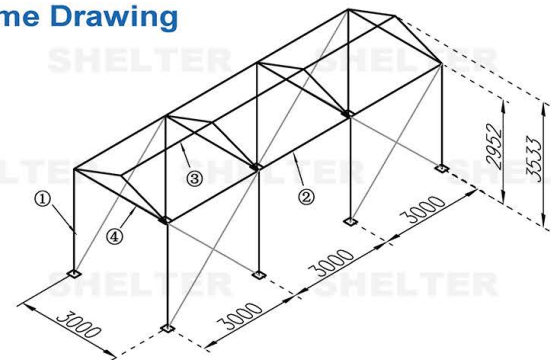
#### Rendering



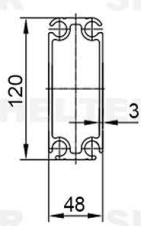
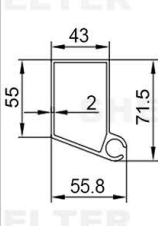
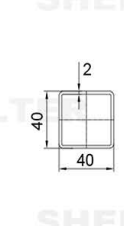
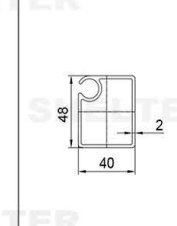
#### Gable Drawing



#### Frame Drawing



#### Profile Specifications

Roof Beam Upright Support ①	Eave Purlin ②	Roof Purlin ③	Gable Hanging Tube ④
			





# SHELTER STRUCTURES

## PRODUCT GALLERY



### APPLICATION

- Sports Hospitality
- Conference Hall
- Exhibition Booth
- Reception Center
- Wedding Marquee
- Lounge Awning
- Outdoor Catering
- Walkway Canopy

### FEATURES

- Optional Frame Color
- Numerous Sidewall Options
- Customized PVC Pattern
- Rapid Installation
- Customized Eave Height



**SHELTER STRUCTURES**  
**TENT MANUFACTURER**

### Headquarter & Production

Chaotian Industrial Park, Panyu, Guangzhou, China.

E: [admin@shelter-structures.com](mailto:admin@shelter-structures.com)

M: +86 139 2885 8552

W: [www.shelter-structures.com](http://www.shelter-structures.com)

T: +8620 6660 3258