
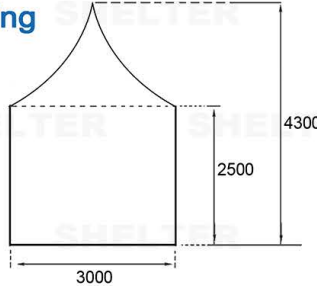
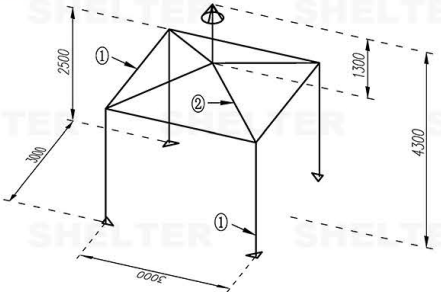
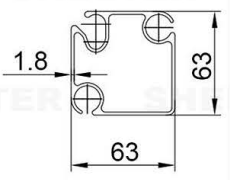
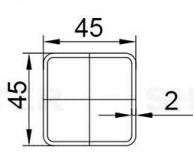
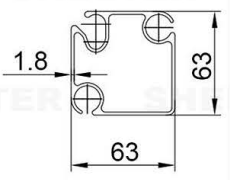
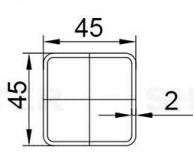
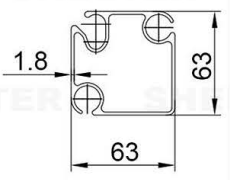
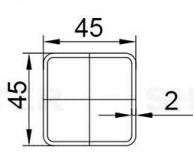


SHELTER C-SERIES	
TENT SPECIFICATIONS	
Model	C3
Span Width	3m
Eave Height	2.50m
Ridge Height	4.30m
Longest Component	2.85m
Max. WindLoad	80km/h (0.40 kN/m ²)
FRAMEWORK	
Main Profiles	63*63*1.8mm
Material	Hard Pressed Extruded Structural Aluminum 6061/T6
COVER	
Material	PVC Coated Polyester Fabric
Features	650 or 850 g/sqm, Premium Grade, High Gloss White or Translucent, Waterproof, UV Resistant
Flame Retardant	DIN 4102 B1, M2; USA NFPA701
CONNECTING COMPONENTS	
Hot Dipped, Structural Grade Corrosive Resistant Galvanized Steel	

C-SERIES DRAWING				
<p>Rendering</p> 				
<p>Gable Drawing</p> 				
<p>Frame Drawing</p> 				
<p>Profile Specifications</p> <table border="1"> <thead> <tr> <th>Upright Support Eave Purlin ①</th> <th>Roof Purlin ②</th> </tr> </thead> <tbody> <tr> <td>  </td> <td>  </td> </tr> </tbody> </table>	Upright Support Eave Purlin ①	Roof Purlin ②		
Upright Support Eave Purlin ①	Roof Purlin ②			
				



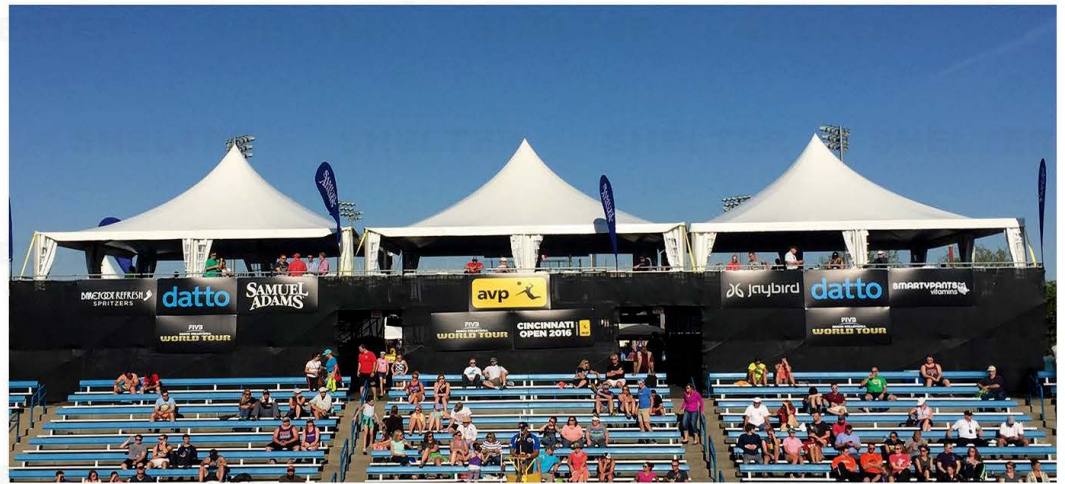
SHELTER STRUCTURES

PRODUCT GALLERY



APPLICATION

- Sports Hospitality
- Hajj & Ramadan
- Pop-up Store
- Exhibition Booth
- Reception Center
- Temporary Carport
- Lounge Awning



FEATURES

- Metal Cone
- Optional Frame Color
- Numerous Sidewall Options
- Custom PVC Pattern
- Easy Installation



SHELTER STRUCTURES
TENT MANUFACTURER

Headquarter & Production

Chaotian Industrial Park, Panyu, Guangzhou, China.

E: admin@shelter-structures.com

M: +86 139 2885 8552

W: www.shelter-structures.com

T: +8620 6660 3258