

# PRODUCT BROCHURE



## 2026 WAREHOUSE TENTS PRODUCT BROCHURE

Shelter Structures Create



Phone:  
+86 139 2885 8552  
+1 713 386 9281



E-mail:  
[admin@shelter-structures.com](mailto:admin@shelter-structures.com)



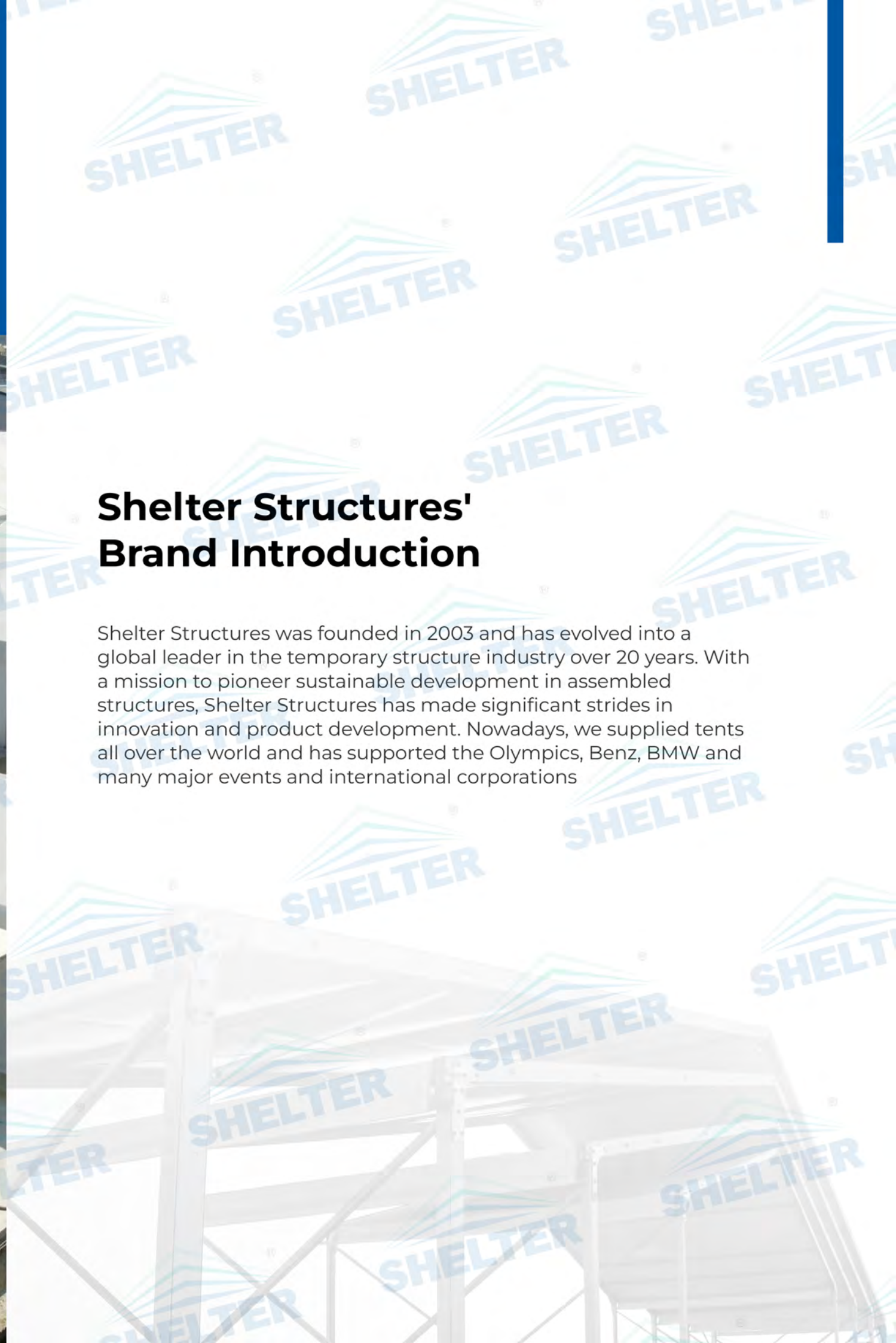
Web:  
[www.shelter-structures.com](http://www.shelter-structures.com)

# About Us



## Shelter Structures' Brand Introduction

Shelter Structures was founded in 2003 and has evolved into a global leader in the temporary structure industry over 20 years. With a mission to pioneer sustainable development in assembled structures, Shelter Structures has made significant strides in innovation and product development. Nowadays, we supplied tents all over the world and has supported the Olympics, Benz, BMW and many major events and international corporations



# Advantages of Shelter Structures



## Technology and Innovation

Shelter Structures has over 20 years of experience in development and manufacturing of assembled structures. Over the years, we have continued to pursue progress in technology and innovation in order to produce higher quality products. Intelligence, high quality and environmental protection are our hallmarks.

## Productivity and Scale

Shelter Structures has 3 large manufacture centers with a production area of more than 30,000 square meters. Now, our products are exported to more than 120 countries. Our strong production and delivery capacity effectively meets the global demand.

## Worldwide Support

Shelter Structures is committed to providing tent building supply support to businesses and customers worldwide. In the industry of temporary and semi-permanent assemblies, we have become the world's leading producer and have partners all over the world. Today, our tent buildings support a wide range businesses including event, industry, militarily, and glamping businesses.

## Professional Service

With an experienced technical team and a professional sales team, Shelter Structures provides you the perfect service during the whole purchase process. From customizing space solution to after-sales service, we are committed to your satisfaction with your tent building.



## Notable Projects Worldwide

At the same time, we are expanding into emerging markets, such as glamping sites for cultural tourism and intelligent electronic devices. Additionally, **Shelter Structures** has supplied tents for numerous significant events, including:



Beijing 2008  
Olympics



Youth  
Olympic Games



2012 Asian  
Beach Games



PGA Golf Tour



CANTON FAIR

Canton Fair



Singapore  
F1 Race



ROYAL WEDDING

British  
Royal Wedding

# Endorsement From Professional Industry Organizations



Many famous industry organizations endorse **Shelter Structures** by trusting our technology and production quality and giving high recommendations for our products.

## Brands We Work With

**Shelter Structures** is dedicated to offering top-tier outdoor space solutions worldwide. With our expertise and commitment, we provide unique, robust, and adaptable tent solutions that enhance user experiences across diverse applications.



# SHELTER Structures' Warehouse Tents



## Benefits of Shelter Structures' Warehouse Tents

### Large Span Structure Support

Our warehouse tents are available in spans up to 80m and even more to provide a spacious area for large-scale storage. The big warehouse tent with large span can accommodate many goods and its layout can be flexibly planned.

### Long-term Use and Easy Maintenance

With high-quality metal frame and PVC cover, our warehouse tents are durable and remain intact after long-term use. They can last for about 20 years with regular cleaning and simple maintenance.

### Ensure Reliable and Safety

It is sure that our warehouse tent is designed to provide reliable and sturdy structure for protect your goods in windy or snowy weather. Made from aluminum alloy frame, they can withstand high wind loads(up to 120km/h) and snow loads.

### Weather Resistance

Our warehouse tent features its high strength PVC coated fabric, which shows the great performance of UV resistance, fire retardance, and waterproof property. This keeps your goods dry and safe in any situation.

## Introduction

Shelter Structures is a leading commercial tent manufacturer with over 20 years of experience in the development and manufacturing of tents. Offering high-quality, innovatively designed, and customizable structures, it enhances various outdoor events. Discover why Shelter Structures is your top choice for your event space solutions.





## A-frame Tent

### Key Features:



Special A-frame roof design fit any setting well and has good drainage properties



Spacious interior without central poles to provide a large venue for industrial and agricultural storage



Designed with modular components and can be expanded flexibly



Great adaptability and suitable for any terrains and environment



Sturdy structures to withstand high wind load (up to 120 km/h) and snow loads



### Specification of A-frame Tent

| Product           | S Series                             | G Series | M Series                             | L Series                    |
|-------------------|--------------------------------------|----------|--------------------------------------|-----------------------------|
| Span (m)          | 3-12                                 | 6-15     | 10-30                                | 30-80                       |
| Eave Height (m)   | 2.6                                  | 3.0      | 4.0/6.0                              | 4.0/6.0                     |
| Bay Distance (m)  | 3.0                                  |          | 5.0                                  |                             |
| Length            | Expands unlimitedly in 3m increments |          | Expands unlimitedly in 5m increments |                             |
| Main Profile (mm) | 48*84                                | 48*120   | 88*166/112*203/<br>120*200/120*250   | 120*300/120*350/<br>120*400 |
| Max Wind Load     | Up to 120 km/h                       |          |                                      |                             |
| Outer Cover       | High Strength PVC Coated Fabric      |          |                                      |                             |



## Polygon Tent

### Key Features:



The unique multi-curved roof increase the roof pitch to make tent more stable in adverse weathers



Can be customized with a variety of options, such as doors, sidewalls, and insulation layers for industrial storage



Spacious Interior without obstacle offers a generous amount of interior space.



Made from high-quality materials that are designed to withstand harsh weather conditions.



Sturdy aluminum alloy structures to withstand high wind loads and snow loads



### Specification of Polygon Tent



|                   |  |          |
|-------------------|--|----------|
| Span (m)          | 15-50                                      | 55-80    |
| Eave Height (m)   | 4.0  |          |
| Bay Distance (m)  | 5.0  |          |
| Length            | Expands unlimitedly in 5m increments       |          |
| Main Profile (mm) | 120*200/120*250/120*300<br>120*350/120*400 | 120*400  |
| Max Wind Load     | 120 km/h                                   | 100 km/h |
| Outer Cover       | High Strength PVC Coated Fabric            |          |



## Revolution Tent

### Key Features:



Flexible choice of peaked or wavy roofs to improve the drainage capacity and stability



Available in enclosed tent building or open canopy to fulfill your industrial requirement



Spacious area without internal support to maximize available space for storage



The span can be up to 50-80 meters, suitable for large-scale industrial activities



Standard and lightweight aluminum alloy frames for easy transportation and quick assembly.



### Specification of Revolution Tent



|                          |                                      |          |          |
|--------------------------|--------------------------------------|----------|----------|
| <b>Span (m)</b>          | 50                                   | 55       | 60       |
| <b>Eave Height (m)</b>   | 6-10                                 |          |          |
| <b>Length</b>            | Expands unlimitedly in 5m increments |          |          |
| <b>Main Profile (mm)</b> | 150*500                              |          |          |
| <b>Max Wind Load</b>     | 120 km/h                             | 110 km/h | 100 km/h |
| <b>Outer Cover</b>       | High Strength PVC Coated Fabric      |          |          |



## Air Dome

### Key Features:



Large span air dome structure without internal poles to achieve 100% space utilization



Easy to build with lightweight membrane structure and it takes only 60 days to install



Fully intelligent control system from backup power system to remote real-time monitoring



The reticular steel cable system are capable of withstanding category 16 typhoons and extreme snowstorms



Adopt the eco-friendly material and PV membrane technology to reduce pollution



### Specification of Air Dome



|                   |  |
|-------------------|--|
| Structure Options | Air Supported Dome Structure/ Tube Dome Structure, Aircushion Dome Structure/Air-inflated Dome Structure |
| Span(m)           | 20-80  |
| Length(m)         | 50-120   |
| Max Wind Load     | 0.65 kN/m <sup>2</sup>   |
| Max Snow Load     | 0.40 kN/m <sup>2</sup>   |



## Retractable Tent

### Key Features:



Inherit the advantages of regular clear span tents and various tent styles can be chosen from



Adopt the advanced driving system to allow the tent to flexibly expand and contract



Lightweight aluminum frame are prefabricated for easy transportation and quick installation



Strong aluminum alloy structures can withstand high wind loads and snow loads.



Smart retractable system effectively save space and improve space utilization for storage



### Specification of Retractable Tent



| Roof Style      | A-frame Roof                            | Arcum Roof  | Polygon Roof                          |
|-----------------|---|-------------|---------------------------------------|
| Span (m)        | 3-80                                    | 3-80        | 15-80                                 |
| Eave Height(m)  | 2.6/3.0/4.0/6.0                         | 2.6/3.0/4.0 | 4.0                                   |
| Bay Distance(m) | 3.0/5.0                                 | 3.0/5.0     | 5.0                                   |
| Length(m)       | Expands unlimitedly in 3/5 m increments |             | Expands unlimitedly in 5 m increments |
| Max Wind Load   | Up to 120 km/h                          |             |                                       |



## Metal Truss

### Specification of Metal Truss

### Key Features:



Truss structures with large span up to 60m or more provides spacious usable space.



Customized designs for different conditions and needs such as residential, stages and industrial applications



Suitable for investment costs because of its durability, easy maintenance, and faster installation.









Metal roof trusses resist rot and pests to offer greater durability and long-term uses..



The high-quality aluminum alloy or steel frame ensure stability under harsh weather and reducing structural failure risks.



| Truss Type    |  Triangle Spigot Truss |  Square Spigot Truss |  Track Truss |  Folding Truss |  Rectangular Truss |  Plane Truss |
|---------------|---|---|---|---|---|---|
| Main Material | High Strength Aluminum Alloy Frame  |   |   |   | Galvanized Steel Frame  |   |
| Span(m)       | 10-16   | 10-20   | 10-18   | 10-36   | 10-80   | 20-80   |
| Height        | 290mm   | 530mm   | 355.6mm   | 580mm   | 610-1450mm  |   |
| Width         | 290mm   | 530mm   | 609.6mm   | 1010mm  | 410-770mm   |   |
| Weight        | ~7.5 kg/m   | ~13.5 kg/m  | ~18 kg/m  | ~22 kg/m  | ~16 - 65 kg/m   |   |
| Pin Position  | Diagonal  |   |   |   |   |   |
| Main Tube     | 50*2 mm   | 50*4 mm   | 50.8*3.2 mm   | 50*4 mm   | 50*4 - 100*8 mm   |   |
| Braces        | 20*2 mm   | 30*3 mm   | 25.4*3.2 mm   | 30*3 mm   | 50*4 mm   |   |

# APPLICATIONS OF WAREHOUSE TENTS

## INDUSTRIAL STORAGE

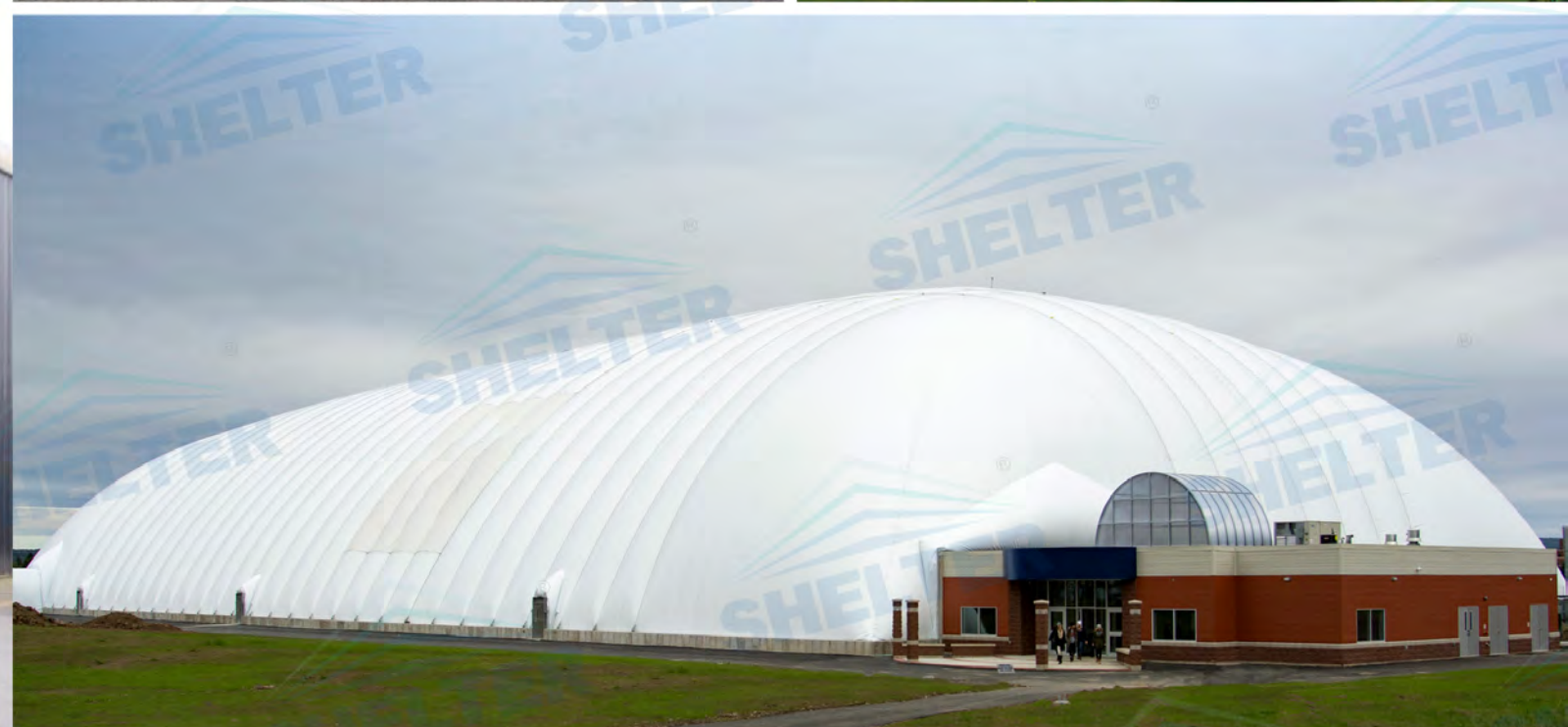
Our warehouse tents are designed to provide great shelter for industrial goods and properties. Made from sturdy aluminum alloy frame and full-shading cover, they can protect goods from rains, winds and sunlight damage.



# APPLICATIONS OF WAREHOUSE TENTS

## AGRICULTURAL WAREHOUSE

Adopting the temperature controlling system, including air conditioners, insulation layers, and ventilation accessories, our warehouse tents can maintain an appropriate indoor temperature and humidity for agricultural goods.



# APPLICATIONS OF WAREHOUSE TENTS

## MILITARY WAREHOUSE

Our warehouse tents are stable and reliable enough to store the army properties and aircraft. They can withstand high wind loads (up to 120km/h) and remain stable in the extreme weather. They also can be set up quickly for military movement.



# APPLICATIONS OF WAREHOUSE TENTS

## LOGISTICS CENTER

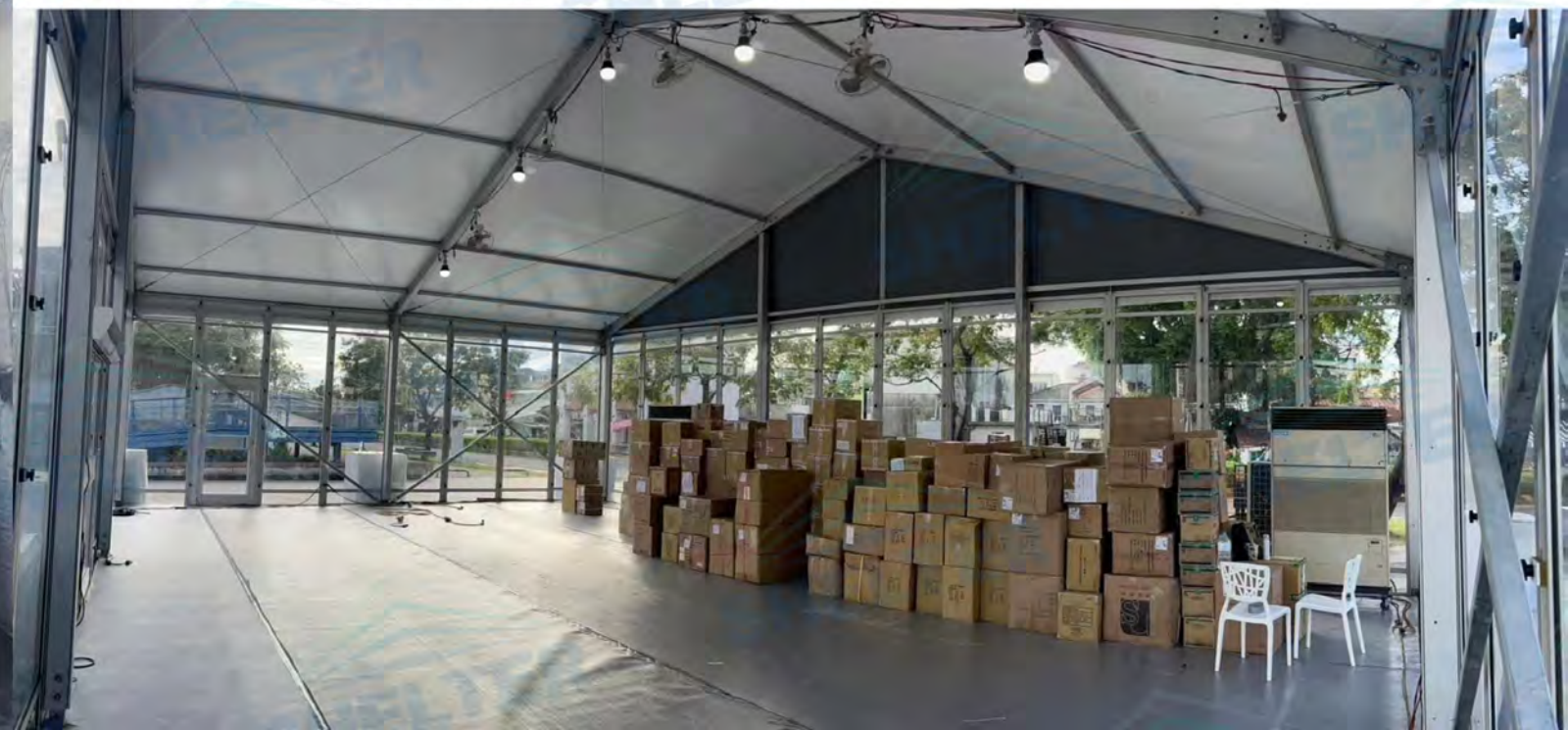
With large usable space of warehouse tents, you can plan the layout well and divide it into different logistics areas. Whether it's for logistics center or distribution center, these high-quality tents effectively optimize logistics efficiency and save money.



# APPLICATIONS OF WAREHOUSE TENTS

## TEMPORARY STORAGE

With large usable space of warehouse tents, you can plan the layout well and divide it into different logistics areas. Whether it's for logistics center or distribution center, these high-quality tents effectively optimize logistics efficiency and save money.



# APPLICATIONS OF WAREHOUSE TENTS

## LONG-TERM WAREHOUSE

Designed as a semi-permanent structure, our warehouse tents can last for 20 years and are suitable for long-term storage. With its sturdy aluminum frame, they can provide a protective shelter for a long time.



# WHY CHOOSE WAREHOUSE TENTS FROM SHELTER STRUCTURES



## PROFESSIONAL SERVICE

With over 20 years of hands-on experience in event tent design and manufacturing, our professional team will provide you with professional and timely service.



## VARIOUS CUSTOMIZED OPTIONS

From the tent style to the customizable details of our wedding tents, we provide a variety of options for you to choose from.



## QUALITY ASSURANCE

Shelter Structures is known for its high quality products. We use durable materials that provide excellent waterproofing and good ventilation, allowing our tents to perform well in all weather conditions.



## ECO-FRIENDLY DESIGN

We use sustainable materials and eco-friendly design concepts to reduce its environmental impact. Whether it's the choice of materials or the construction process, we are committed to creating an eco-friendly solution.

# Our Belief >>

Tailor-Made Solutions Make Space Valuable



## Shelter Structures

**Shelter Structures** is dedicated to providing globally leading outdoor space solutions, mainly producing high-quality temporary and semi-permanent modular tent systems, widely used in various outdoor festivals, commercial events, sports venues, industrial storage, military, and disaster relief areas.



## Glitzcamp



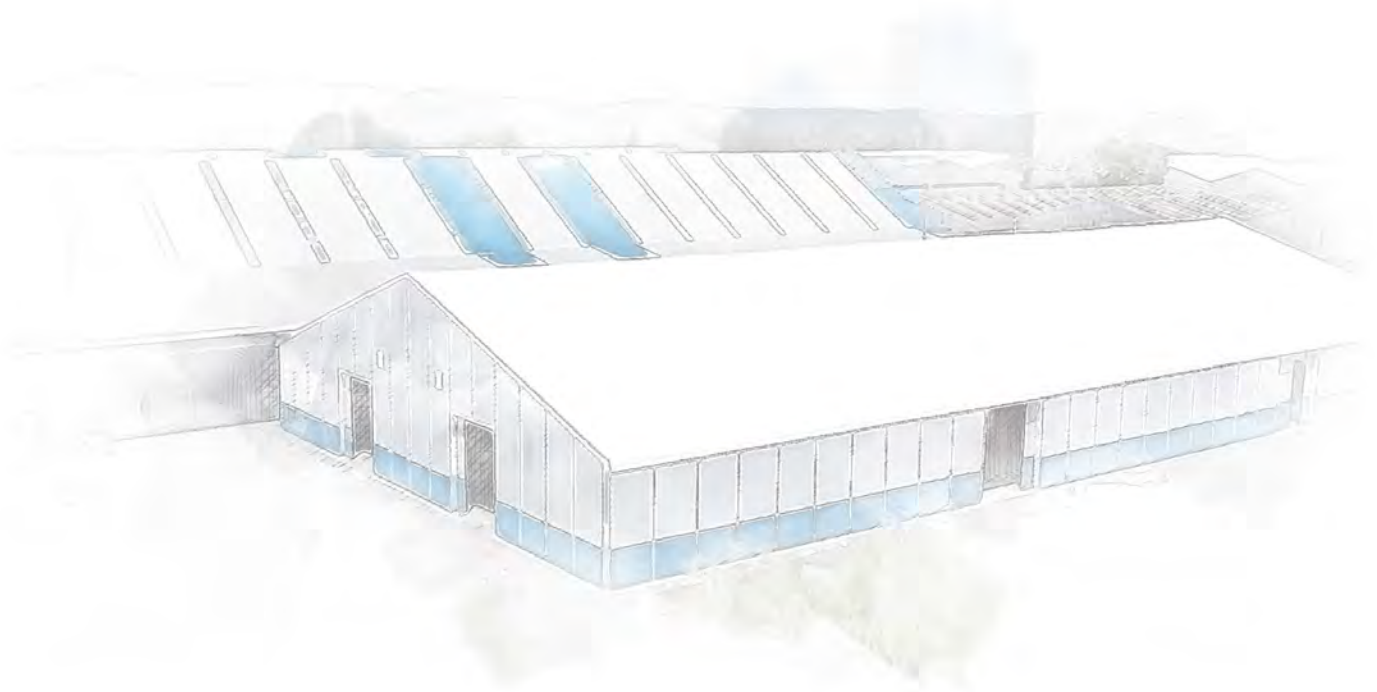
**Glitzcamp** specializing in outdoor tents and holiday homes manufacturing, mainly serving tourism real estate, RV camps, cultural and tourism towns, etc., capable of meeting personalized customization needs and providing efficient and beneficial tourism housing solutions.



## Shelter Dome



**Shelter Dome** focused on offering high-quality outdoor living solutions, combining comfort, functionality, and eye-catching exterior design in one, exploring the luxury star tents of fashion trends. Its unique shape and strong adaptability have made it the go-to choice for exquisite camping, unique hotel development, and luxury camping.



**Shelter Architecture Technology (Guangdong) Co.,Ltd**